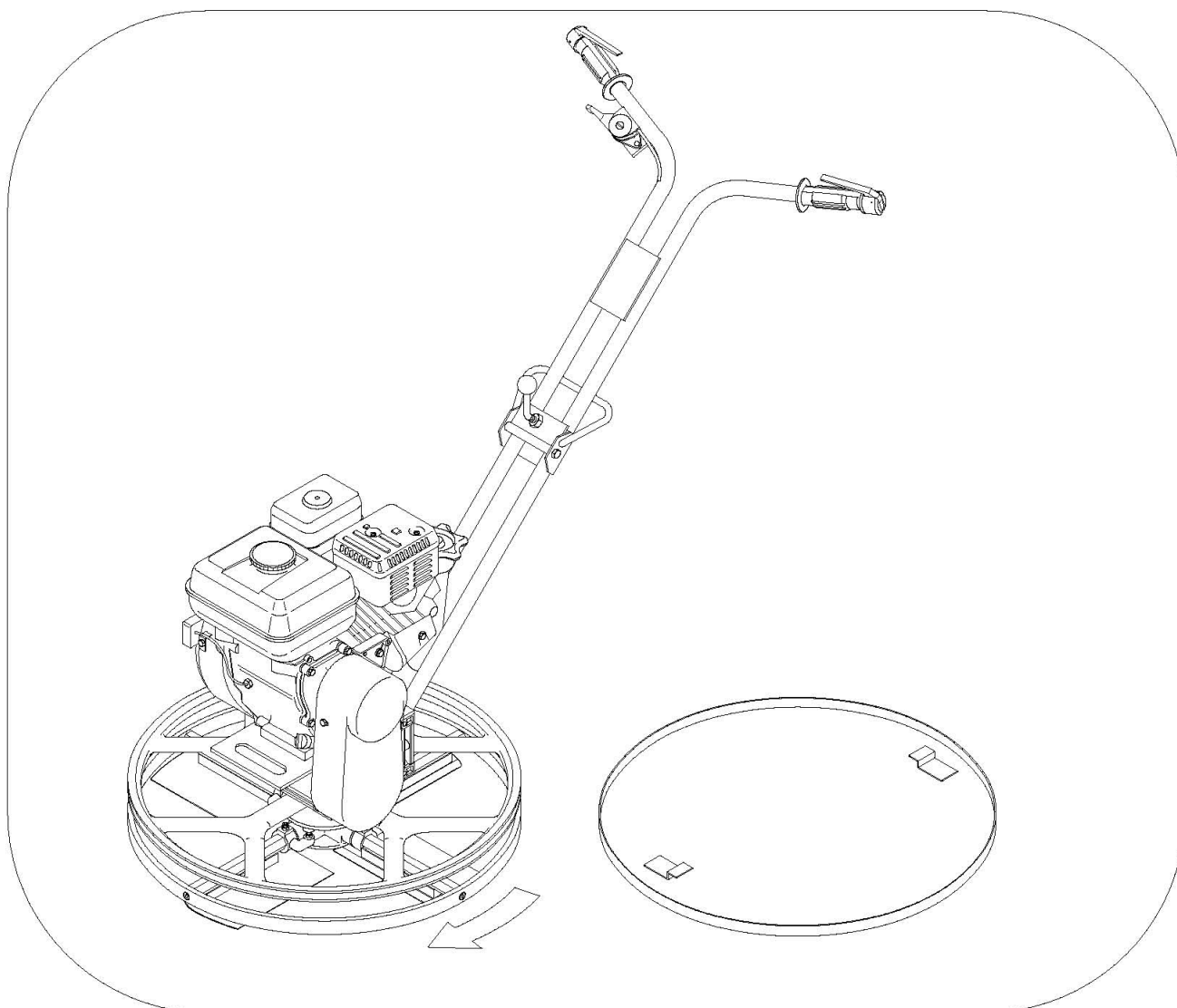


Barikell

*Trowel Construction
User's manual*

FRATTAZZATRICE "MOSKITO 4-75"
POWER TROWEL "MOSKITO 4-75"

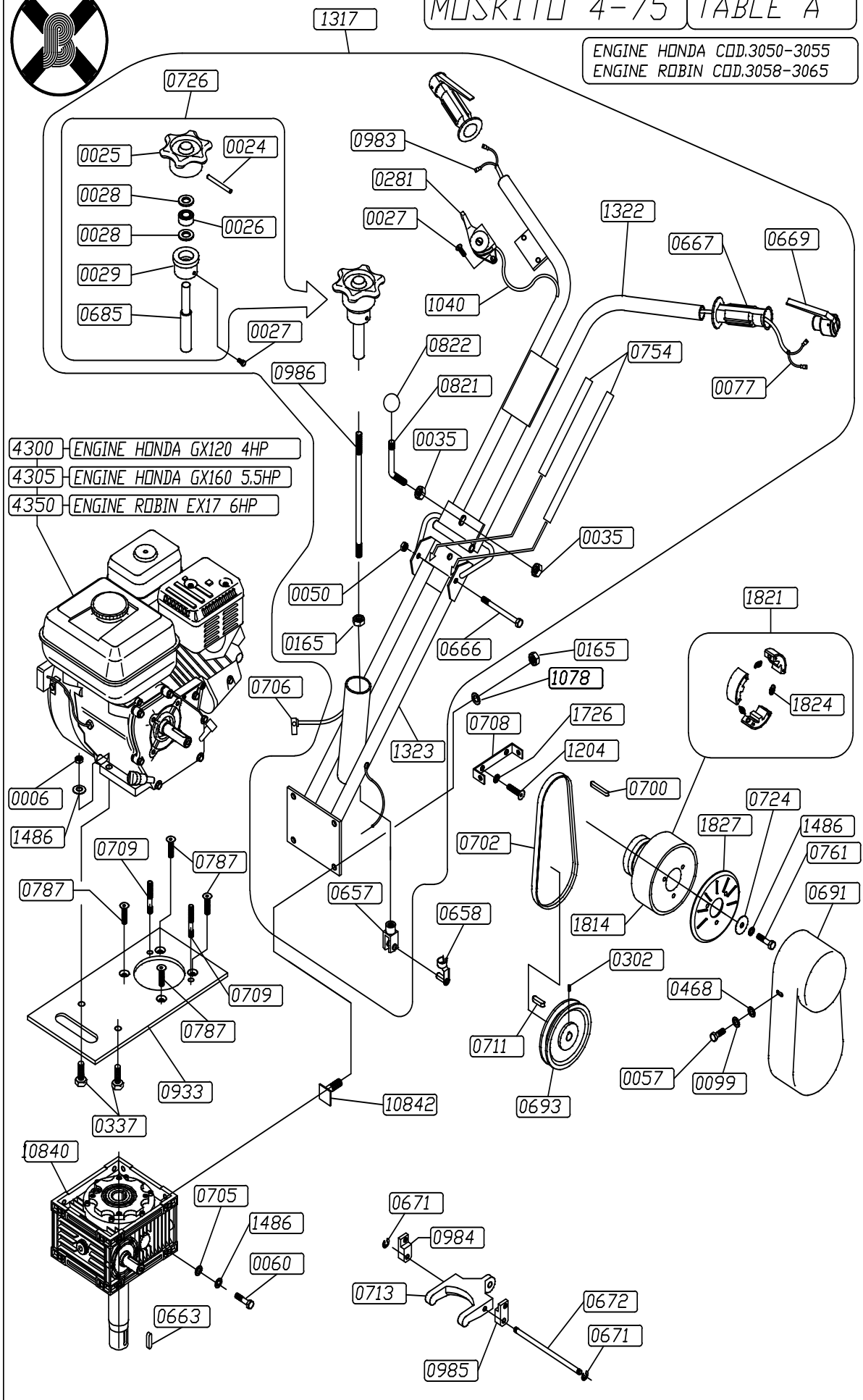
Modelli/Code : 3050-3055-3058-3065-3068





MOSKITO 4-75 TABLE A

ENGINE HONDA COD.3050-3055
ENGINE ROBIN COD.3058-3065

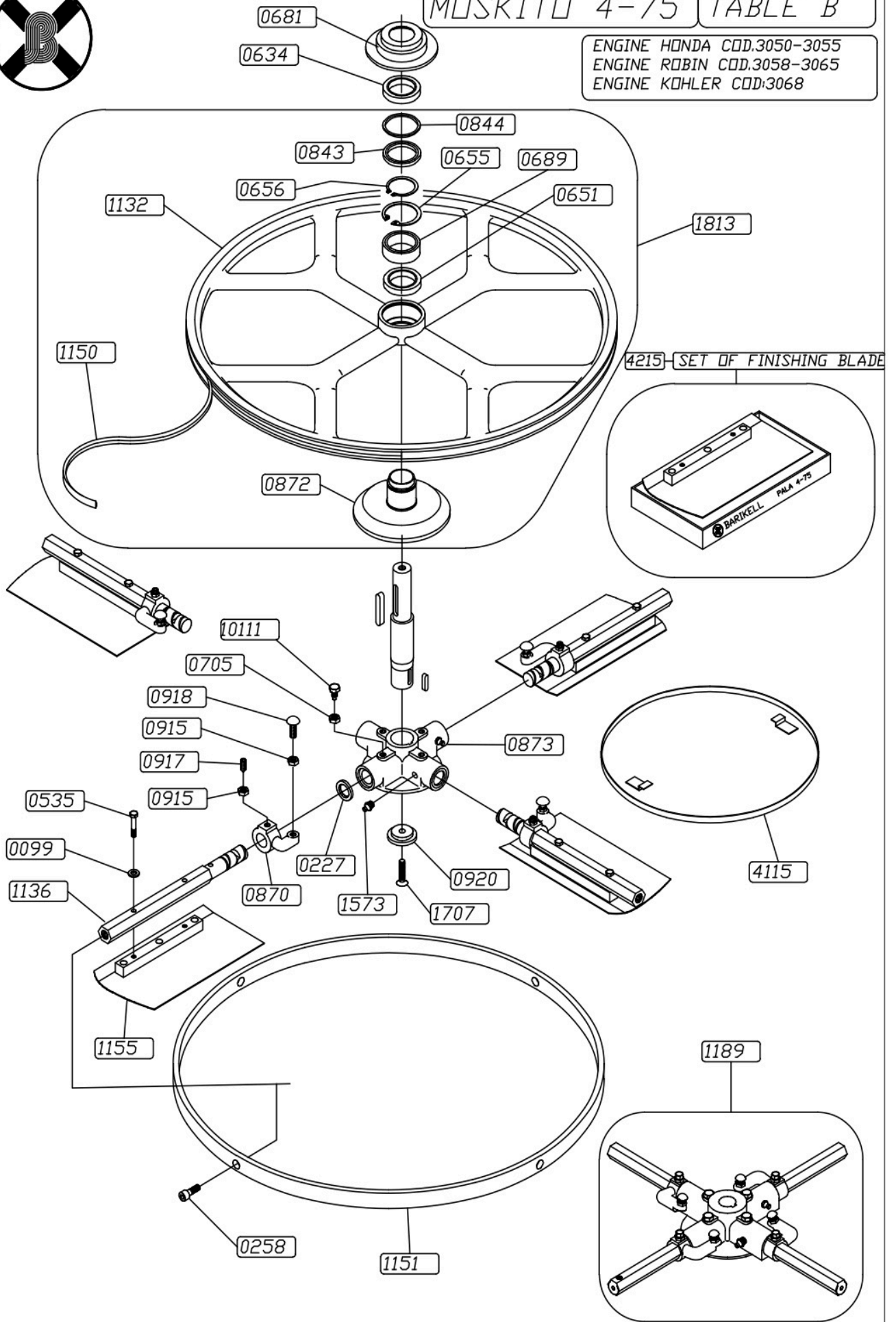


Code	Description	Code	Description
0006	NUT M8 UNI 5588 GALVANIZED WHITE	0822	BALL KNOB M10
0024	UNIVERSAL PIN 6x60 DIN 1481	0933	REDUCTION GEAR PLATE
0025	TOOLHOLDERS KNOB	0983	ELECTRIC WIRE L=680
0026	BEARING THRUST AXK1528	0984	SUPPORT DX YOKE NRV
0027	SCREW TCCE 5x10 5931 G. W.	0985	SUPPORT SX YOKE NRV
0028	BOLSTER AS 1528	0986	TIEROD M10 L=300 Z.B. 4-60/75
0029	RING BEARING THRUST	1040	CABLE WITH SHEATH 1,5x1900x1800
0035	SELF-LOCKING NUT M10 985 G. W.	1078	WASHER D10 GALVANIZED WHITE
0050	SELF-LOCKING NUT M8 DIN 985 G. W.	1204	SCREW TSPCE UNF 12.9 5/16 X 5/8
0057	SCREW TE 6x12 5739 G. WHITE	1317	COMPLETE HANDLE FOR MOSKITO
0060	SCREW TE 8x25 - 5739 G. W.	1322	UPPER HANDLE CHROME MOSKITO
0077	ELECTRIC WIRE L=2600	1323	LOWER HANDLE CHROME MOSKITO
0099	WASHER GROWER D. 6 GALVANIZED W.	1486	WASHER D.8 GALVANIZED WHITE
0165	NUT M10 5589 GALVANIZED WHITE	1726	TAPERED WASHER D.8
0281	METAL ACCELERATOR LEVER	1814	CLUTCH 75 D.19,05 (3./4")
0302	DOWEL M6x16 - 5927	1821	FLYWEIGHT FOR CLUTCH BARIKELL
0337	SCREW HEX HEAD 8x40 5737 G. WHITE	1824	SPRING FOR CLUTCH BARIKELL 75
0468	WASHER 6x18X1,5 GALVANIZED WHITE	1827	CLUTCH COVER BARIKELL 75
0657	YOKE UNI 1676 - DIN 71752	4300M	ENGINE HONDA 4HP GX120UT2 QX-4 OH
0658	CLIPS FOR YOKE M10	4305M	ENGINE HONDA 5,5HP GX160H1 QX-3 OH
0663	KEY 6x6X25 6604A	4350	ENGINE ROBIN/SUBARU EX17 6HP
0666	SCREW HEX HEAD 8x110 5737 G. WHITE	10840	REDUC. GEAR RT 60 B3 1:20 WORM SCREW
0667	KNOB D. 22 RIF.1MA04005	10842	SCREW FOR MOSKITO REDUCTION GEAR
0669	FUEL SECURITY D.18 (1DS01005)		
0671	SEEGER "E" 8 - UNI 7435		
0672	PIN D.8 L=145 PER YOKE G. W.		
0685	LIFTING CYLINDER MOSKITO G. WHITE		
0691	CASING PROTECTION BELT M60/M75		
0693	PULLEY ALLUMINIUM 112x1A D.19 H7		
0700	KEY 4,7x4,7 L=37		
0702	PIBELT A23		
0705	WASHER D. 8 GALVANIZED WHITE		
0706	CLAMP FOR ACCELERATOR WIRE		
0708	CLAMP CASING 4-60		
0709	STUD M8 L=40 GALVANIZED WHITE		
0711	KEY 6x6x30 - 6604A		
0713	YOKE MOSKITO GALVANIZED WHITE		
0724	WASHER 8x24 - GALVANIZED WHITE		
0726	BLADE LIFTER UNIT MOSKITO		
0754	PIPE ARMORVIN HNA 10 RIF. RPQ0191		
0761	SCREW HEX HEAD UNF 5/16x1		
0787	SCREW VSP 8x20 5933 G. WHITE		
0821	PIN LOCK HANDLE M10 L=165 G. WHITE		



MOSKITO 4-75 TABLE B

ENGINE HONDA COD.3050-3055
ENGINE ROBIN COD.3058-3065
ENGINE KOHLER COD.3068



Code	Description
0099	WASHER GROWER D. 6 GALVANIZED WHITE
0227	O-RING D.20 SEZ.1,5
0258	SCREW TCCE 8x16 UNI 5931 G.WHITE
0535	SCREW HEX HEAD 6x35 UNI 5737 G. WHITE
0634	BALL BEARING 51107 CX
0651	BEARING 61808 2RS
0655	SEEGER "I" TYPE JV - 55
0656	SEEGER RW40 - 7433
0681	PLAT BEARING CAP MOSKITO
0689	BEARING NKI 40/20
0705	WASHER D. 8 GALVANIZED WHITE
0843	COVER BEARING FOR MOSKITO
0844	OR D.40 SEZ. 2 FOR MOSKITO
0870	BEND CAST IRON D20 MOSKITO
0872	HEAD 4-60/6-60/4-75/6-75
0873	SPIDER 4-60 / 4-75
0915	NUT M8 5589 ROUGH
0917	DOWEL 8x20 5527
0918	SCREW TTDE 8x25 UNI 5731
0920	WASHER FIX SPIDER MOSKITO
1132	PULLEY DISK d. 750
1136	BEND FOR TOOL HOLDER 4-75
1150	PROTECTION FOR PULLEY DISK D.750
1189	SPIDER COMPL. 4-75
1151	STABILIZER 4-75
1155	BLADE UNIT 4-75
1573	GREASE FITTING M8X1.25 2802
1707	SCREW TSEI 8x30 5933 G. WHITE
1813	PULLEY DISC ASSEMBLY D.750
10111	SCREW LOCK TOOLHOLDER 4-60
4115	TROWEL DISC D.750 2 KEY
4215	TOOL HOLDER PACKAGE MOSKITO 4-75