



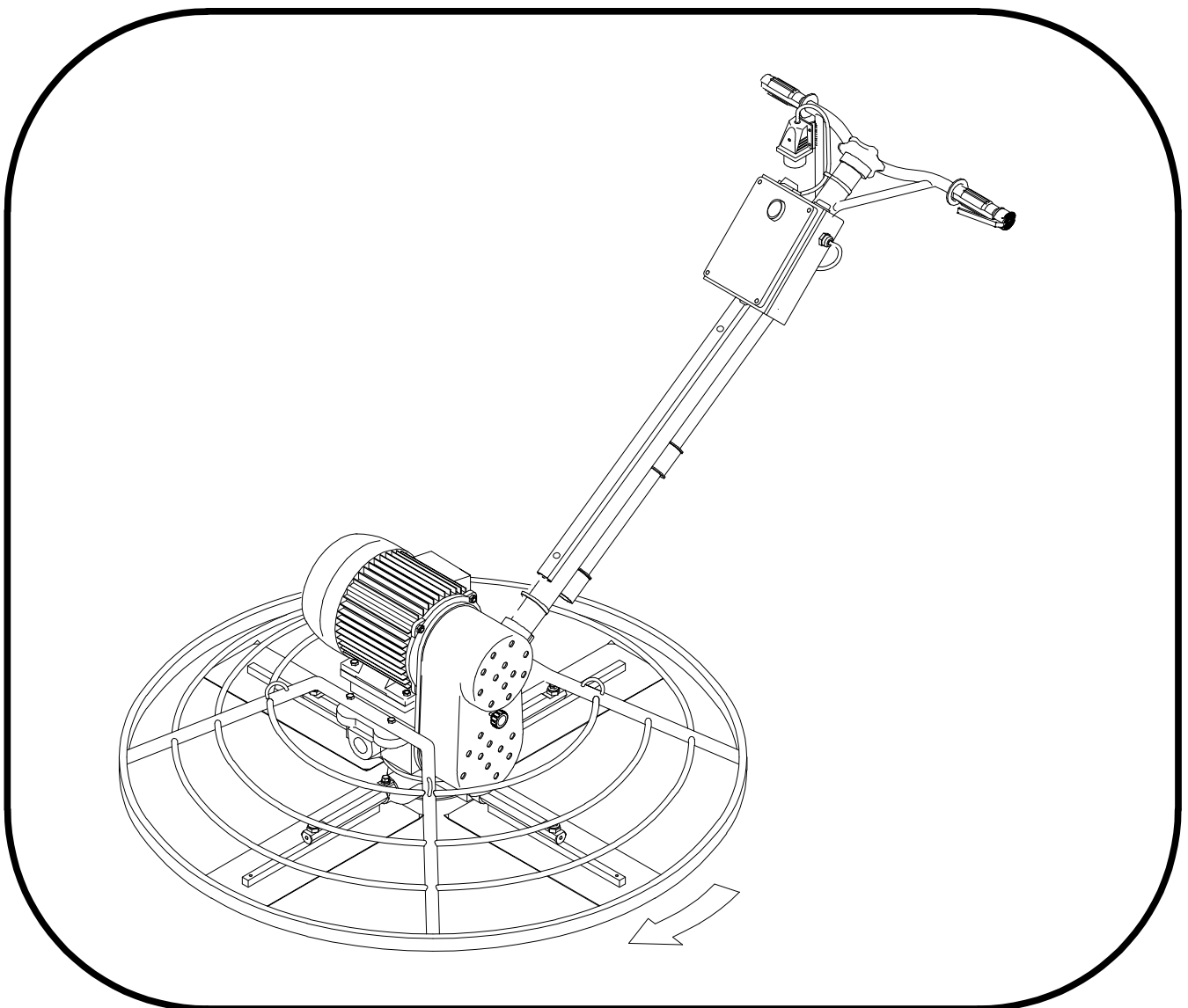
# BARIKELL

## USER MANUAL

### *LIBRETTO USO E MANUTENZIONE*

**POWER TROWEL "4-80 ELECTRIC HEAVYDUTY"  
FRATTAZZATRICE "4-80 ELECTRIC HEAVYDUTY"**

**Code / Modello: 3086G**



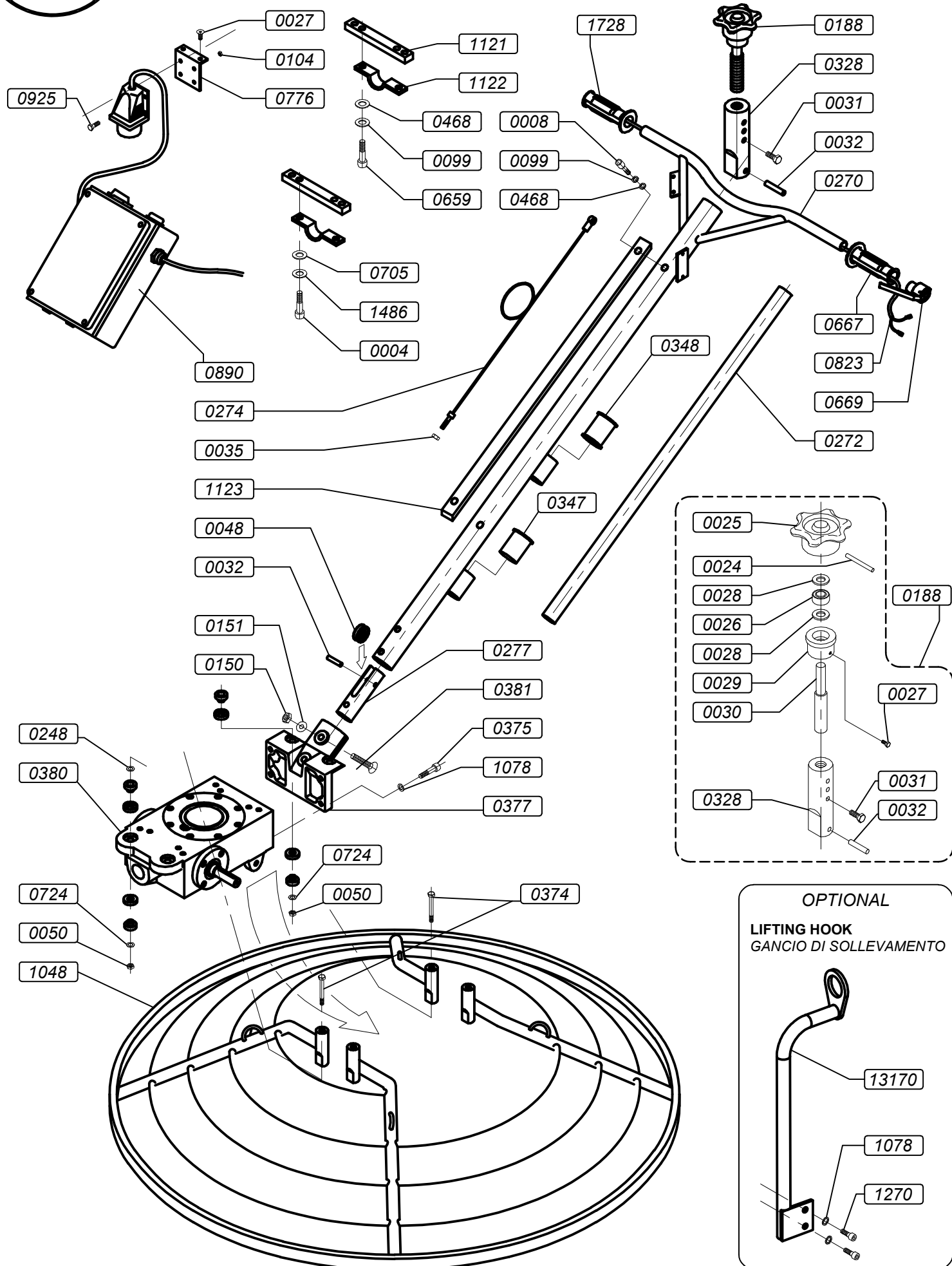


# 4-80 ELECTRIC HEAVYDUTY

TABLE  
TAVOLA **A**

SINGLE-PHASE ELECTRIC MOTOR  
MOTORE ELETTRICO MONOFASE

220V 3HP COD.3086G



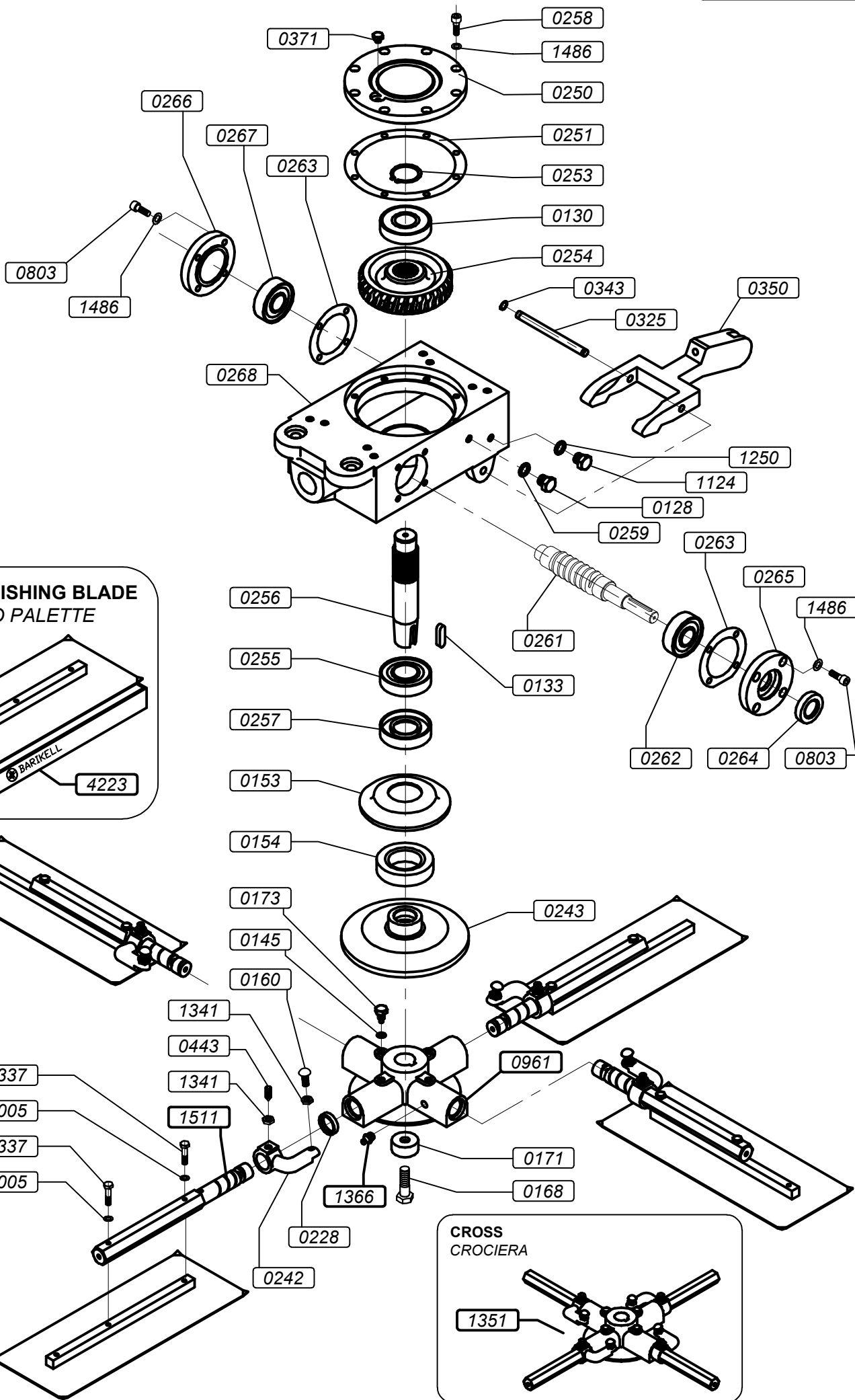
<b>COD.</b>	<b>DESCRIZIONE (I)</b>	<b>DESCRIPTION (GB)</b>
0004	VITE TE 8x20 UNI 5739 Z.B.	HEXAGONAL SCREW 8X20
0008	VITE TE 6x16 5739 Z.B.	HEXAGONAL SCREW 6X16
0024	SPINA ELASTICA 6x60 DIN 1481	UNIVERSAL PIN 6x60 DIN 1481
0025	MANOPOLA ALZAPALE	TOOLHOLDERS KNOB
0026	CUSCINETTO REGGISPINTA AXK1528	BEARING THRUST AXK1528
0027	VITE TCCE 5x10 5931 Z.B.	SCREW TCCE 5x10 5931 ZINC PLATED
0028	RALLA AS 1528	BOLSTER AS 1528
0029	ANELLO PORTACUSC.REGGISPINTA	RING BEARING THRUST
0031	VITE TCCE 6x10 5931 Z.B.	SOCKET CAP SCREW
0032	SPINA CILINDRICA 8x40 UNI 1707	CYLINDRICAL PIN 8X40
0035	DADO BLOKM10 -985 - Z.B.	SELF-LOCKING NUT M10 985 ZINC P.
0048	CARRUCOLAGUIDA CAVO Z.B.	CABLE GUIDE PULLEY
0050	DADO BLOKM8 DIN 985 Z.B.	SELF-LOCKING NUT M8 DIN 985 ZINC P.
0077	FILO ELETTRICO L=2600 MAN.CO,LUN, MOSQ	ELECTRIC CABLE L=2600
0099	RONDELLA GROWER D. 6 Z.B.	GROWER WASHER D.6
0104	DADO BLOKM6 -DIN 985 Z.B.	BLOK NUT M6 985
0150	DADO M12 BASSO 5589 Z.B.	LOW NUT M12 5589
0151	RONDELLA GROWER 12 ZB	GROWER WASHER 12
0188	GRUPPO ALZAPALE PER 4-90/4-120	BLADE LIFTER UNIT 4-90/120
0248	RONDELLA 8x32X2,5 Z.B.	WASHER 8X32X2.5
0270	MANICO CORTO CROM. 4-90/4-120	STANDARD HANDLE -ONLY HANDLE-
0272	TUBO TRASPORTO 33X2,8 L=595	TRANSPORTER ASSY 33X2.8 L=595
0274	CAVO ACCIAIO 4X49X1150 -MAN. CORTO	SHORT STEEL CABLE 4X49X1150
0277	SUPPORTO CARRUCOLA	PULLEY SUPPORT
0328	ATTACCO SUPERIORE x CAVO DI REGISTRO	UPPER COUPLING FOR REGISTER
0347	BUSSOLA CHIUSA IN GOMMA	CLOSED RUBBER BUSH
0348	BUSSOLA APERTA IN GOMMA	OPEN RUBBER BUSH
0374	VITE TE 8x70 - 5737 - Z.B.	SCREW 8X70 5737
0375	VITE TCCE 10x35 Z.B. UNI 5931	SCREW TCCE 10X35 5931
0377	FLANGIA PORTA MANICO CORTO	SHORT SLEEVE FLANGE
0380	RIDUTTORE V75 COMPL. C/MUSETTO	COMPLETE V75 GEARBOX
0381	VITE VSP 12x80 5933 Z.B.	SCREW 12X80 5933
0468	RONDELLA 6x18X1,5 Z.B.	PLAIN WASHER 6x18X1,5
0659	VITE TE 6x30 5739 Z.B.	SCREW TE 6x30 5739
0667	MANOPOLA D. 22 APERTA RIF.1MA04005	OPEN KNOB D.22
0669	DISP.SIC.BENZ.D.18 S/GANCIO (1DS01005)	DEADMAN SWITCH PETROL LEVEL D.18
0705	RONDELLA PIANA D. 8 Z.B.	PLAIN WASHER D8
0724	RONDELLA 8x24 - ZINCATA BIANCA	WASHER 8x24 - ZINC PLATED
0776	STAFFA PRESA CORRENTE ZINC.B.	POWER SOCKET BRACKET FOR
0890	CENTRALINA ECL-CMT1 220V	CONTROL UNIT ECL-CMT1 220V
0925	VITE TCCE 6x18 Z.B. UNI 5931	SCREW TCCE 6x18
1048	CERCHIO PROTEZ.4-80 HEAVY DUTY	PROTECTION RING
1078	RONDELLA ZIGRIN.D10 ZINC.B.	WASHER D10 ZINC PLATED
1121	STAFFA SUPPORTO 40X10 L=195	BRACKET 40X10 L=195
1122	STAFFA INF. FISSAGGIO SCATOLA	LOWER BRACKET

1270	VITE TCCE 10x45 Z.B.	SCREW TCCE 10X45 Z.B.
13170	GANCIO SOLLEVAM.	LIFTING HOOK
1486	RONDELLA ZIGRINATA D.8 Z.B.	WASH PLAIN D.8
1728	MANOPOLA CHIUSA D.22 S/PARAMAN	CLOSED KNOB D.22



# 4-80 ELECTRIC HEAVYDUTY

TABLE  
TAVOLA **B**



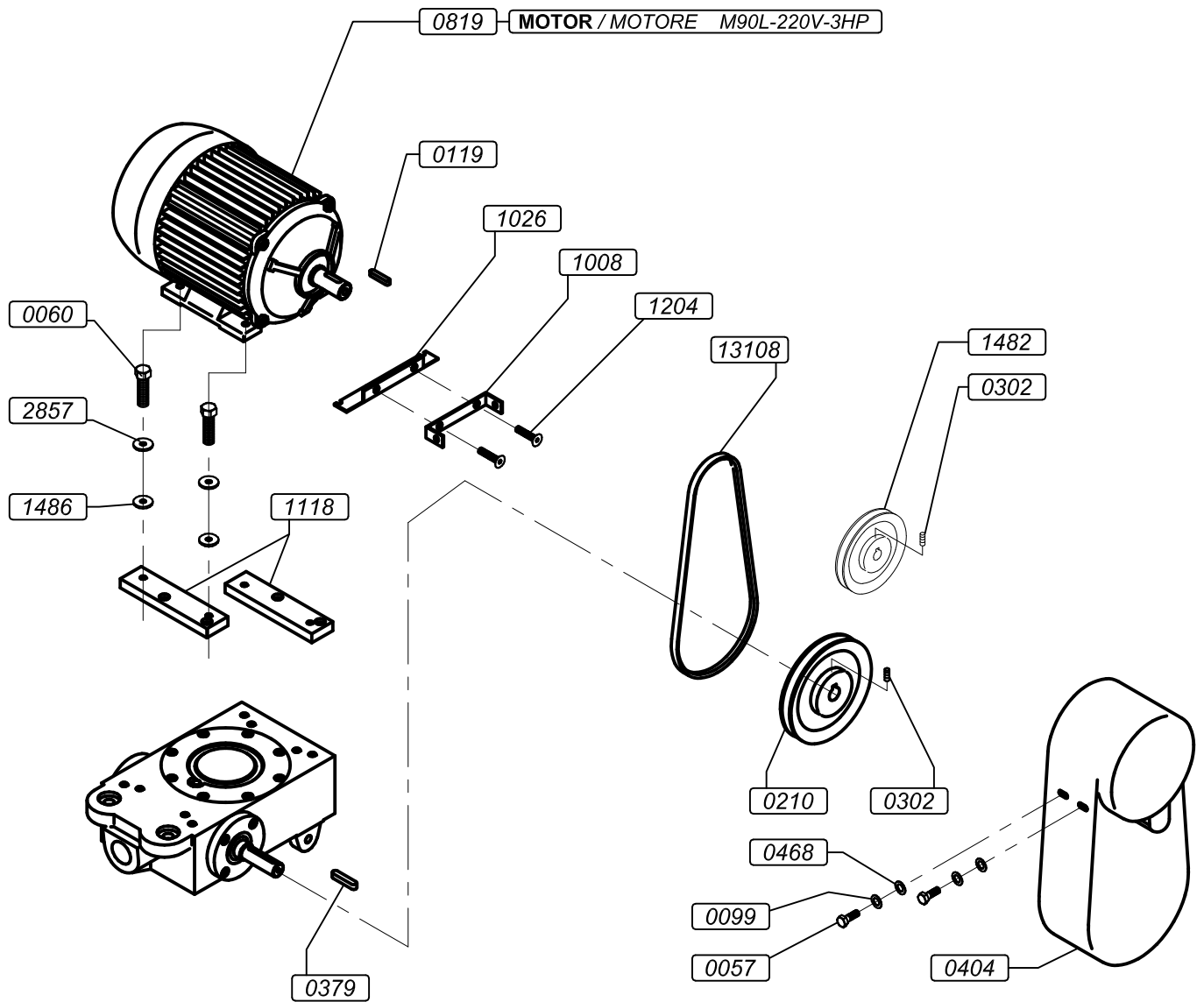
<b>COD.</b>	<b>DESCRIZIONE (I)</b>	<b>DESCRIPTION (GB)</b>
0005	RONDELLA GROWER D. 8 Z.B.	SCREW HEX HEAD 8x35 UNI 5737 Z.P.
0128	TAPPO SCARICO OLIO 3/8" GAS ZB	PLUG OIL 3/8" GAS GALVANIZED WHITE
0130	CUSCINETTO CONICO 30306 CX	TAPER BEARING 30306 CX
0133	CHIAVETTA 10x8x35 - 6604A	KEY 10x8x35 - 6604A
0145	RONDELLA PIANA 10x21 6592 Z.B.	WASHER 10x21 6592 GALVANIZED WHITE
0153	COPRICUSCINETTO 4-90/4-120	COVER BEARING 4-90/4-120
0154	CUSCINETTO REGGISPISTA BCA2256	BEARING BCA2256
0160	VITE TTDE10X30 UNI 5731 SENZA	SCREW TTDE10X30 UNI 5731
0168	VITE TCCE 12x30X1,5 Z.B. DIN912	SCREW TCCE 12x30X1,5 Z.P. DIN912
0171	ROND. BLOCC. CROC. 4-90/120,MK8-75,OL90	WASHER 4-90/120,MK8-75,OL90
0173	VITE BLOC.BRAC.P.PALE 4-90/120	SCREW FIX TOOLHOLDER 4-90/120
0228	OR D.25 SEZ.1,5 PER CROC.	O-RING D.25 SEZ.1,5
0242	GOMITO GHISA D.25 4-90/MK8-75	BENG IN CAST IRON D.25 4-90/MK8-75
0243	CAMPANA REG.PALE D.182 ZB	UPPER HEAD TOOLHOLDER D.182
0250	COPERCHIOSUPERIORE V75	UPPER COVER V75
0251	GUARNIZIONE SUPERIORE V75	UPPER SEAL V75
0253	SEEGER "E" 30x1,5 UNI 7435 DIN 471	SEEGER "E" 30x1,5 UNI 7435 DIN 471
0254	CORONA DENTATA DX V75	CROWN GEAR DX V75
0255	CUSCINETTO SFERE 6207-2RS V75 CX	BALL BEARING 6207-2RS V75 CX
0256	ALBERO LENTO V75	SLOW SHAFT V75
0257	PARAOLIO DOP.TENUTA 35X55X10	OIL SEAL 35X55X10
0258	VITE TCCE 8x16 UNI 5931 Z.B. 12.9	SCREW TCCE 8x16 UNI 5931 GALVANIZED WHITE
0259	RONDELLA ALL. 17x23x1.5 X RID.	WASHER ALL. 17x23x1.5
0261	VITE SENZA FINE DX V75	WORM SCREW DX V75
0262	CUSCINETTO CONICO 30305 CX	TAPER BEARING 30305 CX
0263	GUARNIZIONE LATERALE V75	SEAL V75
0264	PARAOLIO DOP.TENUTA 25X45X10	OIL SEAL 25X45X10
0265	COPERCHIO LATERALE FORATO V75	PERFORATED SIDE LID V75
0266	COPERCHIO LATERALE CHIUSO V75	CLOSED SIDE COVER V75
0267	CUSCINETTO A SFERE 6305 CX	BALL BEARING 6305 CX
0268	SCATOLA RIDUTTORE V75 C/MUSETT	REDUCTION GEAR BOX V75 C/MUS
0325	PERNO FORCEL.D.11X179 Z.B.V75	PIN YOKE D.11X179 Z.B.V75
0337	VITE TE 8x40 5737 Z.B.	SCREW HEX HEAD 8x40 5737 GALVANIZED WHITE
0343	ANELLO RADIALE DIAM.10	SEAL DIAM.10
0350	FORCELLA COMANDO PALE D.11	YOKE CONTROL TOOLHOLDER D.11
0371	TAPPO SFIATO 1/8"+ RONDELLA IN RAME	BREATHER PLUG 1/8"+ COPPER WASHER
0443	GRANO M10x20 UNI 5927	DOWEL M10x20 UNI 5927
0380	RIDUTTORE COMPL. V75 C/MUS.	COMPLETE GEARBOX V75 C/MUS.
0803	VITE TCCE M8X20	SCREW TCCE M8X20
0961	CROCERA C/FORI ING	SPIDER
1124	INDICAT.LIV.OLIO 3/4" VETRO	LEVEL INDICATOR OIL 3/4" GLASS
1250	RONDELLA ALL.27X33X1,5 3/4"	WASHER ALL.27X33X1,5 3/4"

1341	DADO M10 5589 BASSO GREZZO	NUT M10 5589
1351	CROCERA COMPLETA	COMPLETE SPIDER
1366	INGRASSATORE M8X1,25	GREASE FITTING M8X1.25
1486	RONDELLA ZIGRINATA D.8 Z.B.	WASHER D.8 GALVANIZED WHITE
1511	BRACCIO PORTA PALETTA 4-80	BLADE ARM 4-80
4223	PACCO PALETTE 4-80	SET OF FINISHING BLADES 4-80



# 4-80 ELECTRIC HEAVYDUTY

TABLE  
TAVOLA **C**





<b>COD.</b>	<b>DESCRIZIONE (I)</b>	<b>DESCRIPTION (GB)</b>
0057	VITE TE 6x12 5739 Z.B.	HEXAGONAL SCREW 6X12 5739
0060	VITE TE 8x25 - 5739 - Z.B.	HEXAGONAL SCREW 8X25 5739
0099	RONDELLA GROWER D. 6 Z.B.	GROWER WASHER D.6
0210	PULEGGIA ALL.140x1A D.20 H7 CH.6	ALUMINIUM PULLEY 140X1A D20H7
0302	GRANO M6x16 - 5927	DOWEL M6X16 5927
0379	CHIAVETTA 6X6X35 - 6604 C45	SMALL KEY 6X6X35
0404	CARTER PROT.CINGHIA 4-90 H=115	CARTER PROT. BELT 4-90 H=115
0468	RONDELLA 6x18X1,5 Z.B.	PLAIN WASHER 6x18X1,5
0819	MOTORE ELETTRICO M90L-220V-3HP	ELECTRIC ENGINE M90L-220V-3HP
1008	STAFFA CARTER PROTEZ.CINGHIE	GUARD PROTECTION BELT SUPPORT
1026	STAFFA FISSAGGIO CARTER ELETT.	BRACKET ELECTRIC GUARD
1118	SUPPORTO MOTORE ELET.380V ANT/POST 60X15	MOTOR MOUNT FRONT/REAR
1204	VITE TSPCE UNF 12.9 5/16 X 5/8	SCREW TSPCE UNF 12.9 5/16 X 5/8
13108	CINGHIA PIBELT A26	BELT PIBELT A26
1482	PULEGGIA ALL.90X1A D.24H7	ALL. PULLEY 90X1A D.24H7
1486	RONDELLA ZIGRINATA D.8 Z.B.	WASHER PLAIN D.8
2857	RONDELLA 8x24X4 Z.B.	WASHER 8x24x4