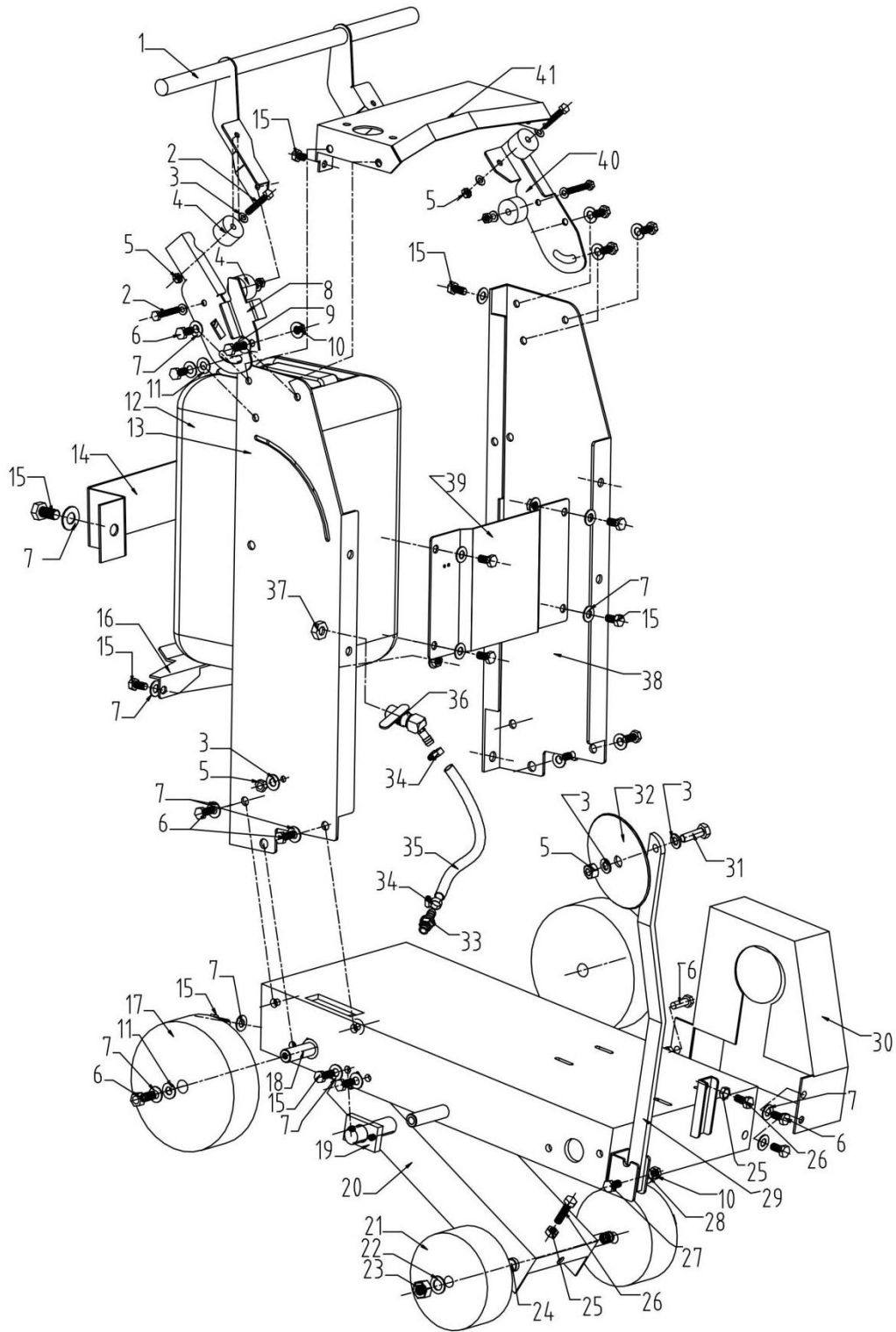


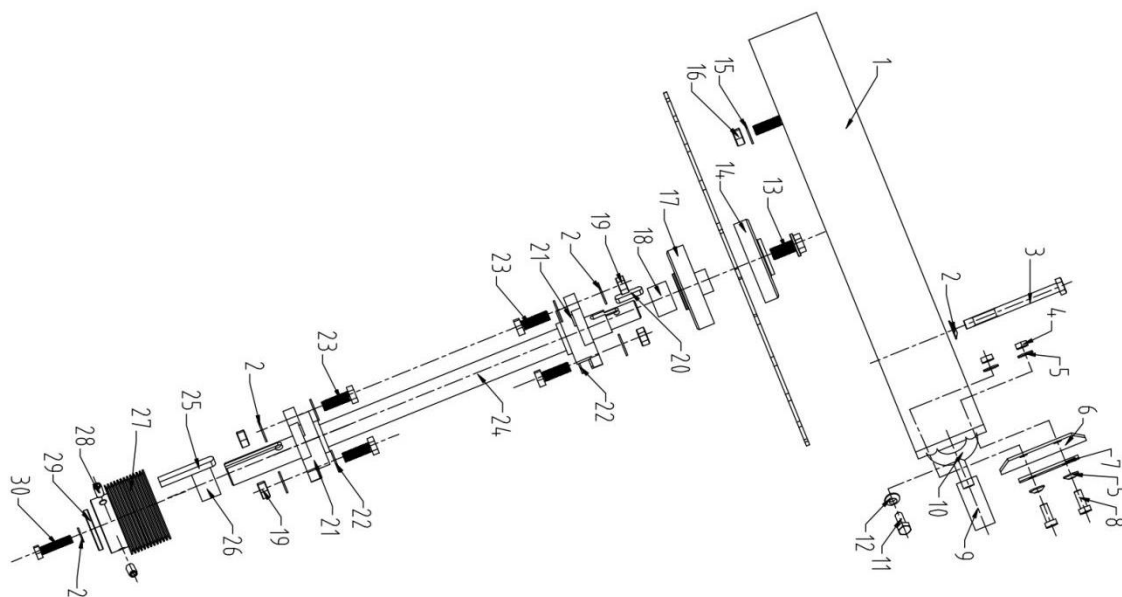
11. Operating Explosion Drawing



PART LIST FOR DRAWING 3 OF CUTTING MACHINE JHD-400

ITEM	PART NO.	QTY	DESCRIPTION
1	Y0184	1	MANICO COMPLETO PER FLOOR 6
2	0791	4	VITE TE 8x45 UNI 5737 Z.B.
3	0724	12	RONDELLA 8x24 - ZINCATA BIANCA
4	D400-18-007	4	Rubber pad 1
5	0006	6	DADO M8 UNI 5588 Z.B.
6	0144	8	VITE TE 10x25 UNI 5737 Z.B.
7	20105-0002	35	φ10 spring pad
8	D400-13	1	Limiter
9	0161	1	VITE TE 10x35 UNI 5737 Z.B.
10	0065	2	DADO M10 UNI 5588 Z.B.
11	20103-0010	4	φ10*φ28*3 Non standard flat washer
12	2874	1	TANICA ACQUA FLOOR 6
13	D400-05-000	1	Right side of the blade
14	JHD400-25	1	Water tank holder
15	1205	17	VITE TE 10x20 UNI 5737 Z.B.
16	D400-15	1	Block tank
17	2646	2	RUOTA ALLUM.200X50 S/CUSC. D.47x17
18	D400-04	2	Rear axle
19	D400-03	2	Clip
20	D400-02	1	Little bottom
21	2886	2	RUOTA ANTERIORE FLOOR 6
22	20103-0013	2	φ16 washer
23	2225	2	DADO M16 UNI 5589 Z.B.
24	D400-02-004	1	Front axle
25	0035	3	DADO BLOKM10 -985 - Z.B.
26	1146	2	VITE TE 10x60 – 5737 ZINC.
27	1217	1	VITE TE 10x30 UNI 5737 Z.B.
28	0145	4	RONDELLA PIANA 10x21 6592 Z.B.
29	2885	1	ASTA MIRINO FLOOR 6 VERNICIATA NERA
30	D400-22	1	Belt cover
31	0060	1	VITE TE 8x25 -5739- Z.B.
32	2887	1	RUOTA PER ASTA MIRINO FLOOR 6
33	2877	1	INNESTO RAPIDO C/RESCA 9 T. ACQ. FLOOR 6
34	20800-0006	2	Hose clamp
35	2875	1	TUBO ACQUA FLOOR 6
36	20800-0008	1	Water valve
37	20800-0009	1	Copper nut for water valve
38	D400-06-000	1	Left panel
39	D400-14-000	1	Panel
40	D400-18-005/006	2	The following side
41	D400-12	1	Operating panel

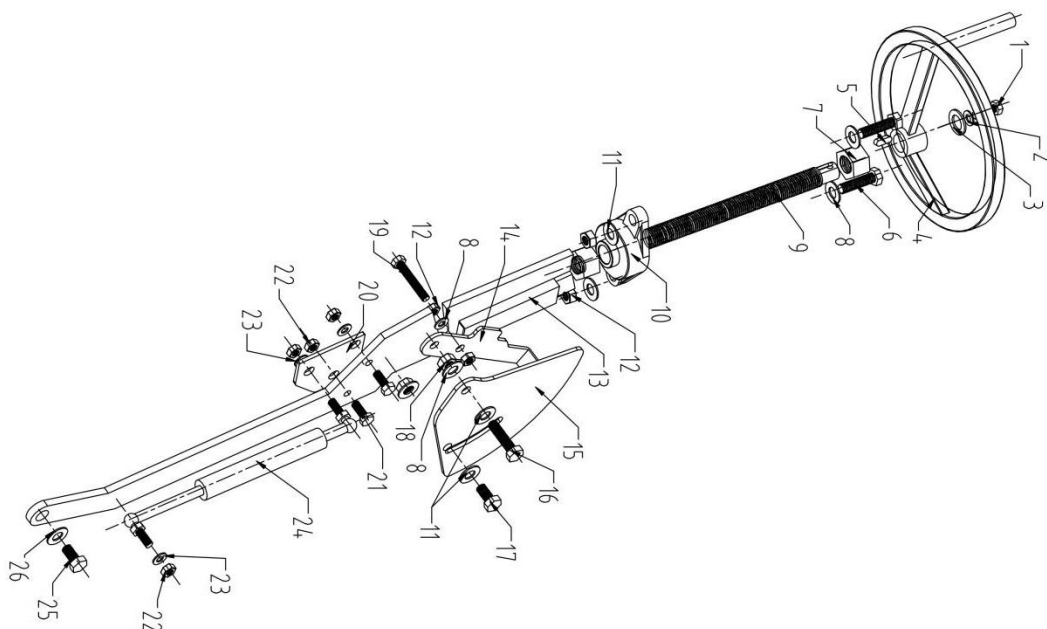
Blade Assembly



ITEM	PART NO.	QTY	DESCRIPTION
1	2884	1	CARTER DISCO FLOOR 6 VERNICIATO
2	1215	6	RONDELLA PIANA 10x30 Z.B.
3	20101-0035	1	Hex screw M10X110
4	0729	2	DADO M6 5589 BASSO Z.B.
5	0468	4	RONDELLA 6x18X1,5 Z.B.
6	D400-21-006	1	Rubber fender
7	D400-21-007	1	Tableting
8	0790	1	VITE TE 6x20 UNI 5739 Z.B.
9	2876	1	INNESTO TUBO ACQUA FLOOR 6
10	2875	1	TUBO ACQUA FLOOR 6
11	0004	1	VITE TE 8x20 UNI 5739 Z.B.
12	0724	1	RONDELLA 8x24 - ZINCATA BIANCA
13	1205	1	VITE TE 10x20 UNI 5739 Z.B.
14	2881	1	FLANGIA PER ALBERO FLOOR 6
15	1215	2	RONDELLA PIANA 10x30 Z.B.
16	0065	1	DADO M10 5588 Z.B.
17	2881	1	FLANGIA PER ALBERO FLOOR 6
18	1670+1671	1	BOCCOLA 35X5 FORO D.26 + BOCCOLA 40X10 FORO D.25
19	0035	4	DADO BLOKM10 – 5 985 - Z.B.
20	0147	1	CHIAVETTA 6X6X15 UNI 6604
21	2356	2	SUPPORTO CUSCINET. UCFL 205-FK
22	1215	4	RONDELLA PIANA 10x30 Z.B.
23	1217	4	VITE TE 10X30 UNI 5739 Z.B.

24	2882	1	ALBERO FLOOR 6 D.24.80 L=465
25	0664	1	CHIAVETTA 8x7x50 - 6604A
26	1671	1	BOCCOLA 40X10 FORO D.25 C/FORI FILETTATI
27	2880	1	PULEGGIA DENTATA 12 PK633 PER FLOOR 6
28	1221	2	VITE TE 8x30 8.8 5739 ZINC.B.
29	1215	1	RONDELLA PIANA 10x30 Z.B.
30	2275	1	VITE TE 12X40 UNI 5739 Z.B.

Adjustment Component



ITEM	PART NO.	QTY	DESCRIPTION
1	0004	1	VITE TE 8x20 UNI 5739 Z.B.
2	0724	1	RONDELLA 8x24 – ZINCATA BIANCA
3	0724	1	RONDELLA 8x24 – ZINCATA BIANCA
4	2879	1	VOLANTINO SOLLEVAMENTO FLOOR 6
5	20110-0005	1	key 6x6x20
6	1217	2	VITE TE 10x30 UNI 5739 Z.B.
7	2878	2	DADO M20 Z.B.
8	20103-0008	3	φ10 flat washer
9	2883	1	VITE PER VOLANTINO SOLLEVAMENTO FLOOR 6
10	20402-0001	1	universal bearing
11	20105-0002	4	RONDELLA PIANA 10x30 Z.B.
12	0035	4	DADO BLOKM10 -985 - Z.B.
13	D400-09-002	1	Drawing board
14	D400-08	1	Scale pointer
15	JHD400-07	1	Dial
16	1217	1	VITE TE 10x30 UNI 5739 Z.B.
17	1205	1	VITE TE 10x20 UNI 5739 Z.B.
18	0065	1	DADO M10 5588 Z.B.
19	0375	1	VITE TCCE 10x35 Z.B. UNI 5931
20	D400-10	1	Fixed plate
21	0060	2	VITE TE 8x25 UNI 5739 Z.B.
22	0006	3	DADO M8 UNI 5588 Z.B.

23	0724	6	RONDELLA 8x24 - ZINCATA BIANCA
24	20600-0001	1	Gas spring
25	13090	1	VITE TE 12x20 10.9 5739 Z.B.
26	0384	1	RONDELLA PIANA D. 12 6592 ZB

--